
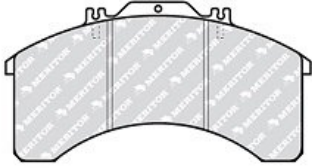


Nowość - klocki Meritor serii MDP3000

MDP3011K  = 4 x


IVECO



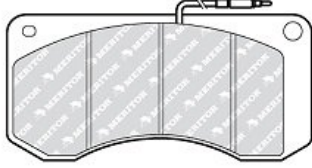
241.0mm
125.0mm
25.0mm
Bendix ADB4300

WVA 29011

Indeks 10-01-01-0091

MDP3013  = 4 x


DENNIS
MAN
RENAULT



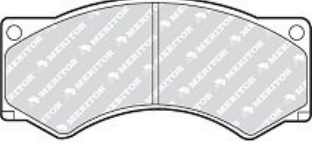
183.0mm
87.0mm
21.0mm
SEE 2X67

WVA 29013

Indeks 10-01-01-0873

MDP3017  = 4 x


DAF
IVECO
LEYLAND



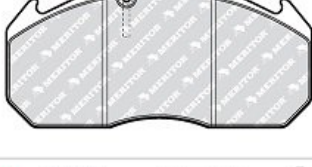
191.0mm
89.0mm
23.0mm
Wabco 456 F-0

WVA 29017

Indeks 10-01-01-0198

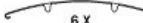
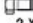
MDP3030K  = 4 x

MAN
RENAULT
MERCEDES




249.6mm
118.4mm
28.2mm
Meritor Elsa 1/D3

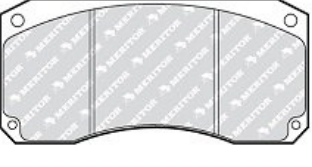
WVA 29030

KIT MBA108  6 x  2 x

Indeks 10-01-01-0477

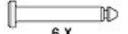

MDP3043K  = 4 x

DENNIS
RENAULT




204.0mm
97.0mm
24.0mm
Meritor D2

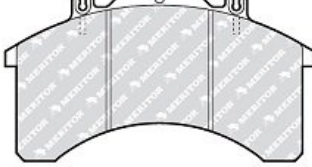
WVA 29043

KIT MBA109  6 x  4 x

Indeks 10-01-01-0852

MDP3032K  = 4 x



IVECO



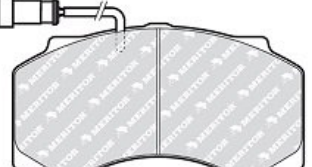
206.0mm
107.0mm
25.0mm
Bendix ADB3700

WVA 29032

Indeks 10-01-01-0409

MDP3077  = 2 x  + 2 x


DAF




205.0mm
106.0mm
27.0mm
Wabco 1600 V-G

WVA 29077

Indeks 10-01-01-0185






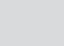
MDP3087K  = 4 x

BPW
DAF
DENNIS
IVECO
MERCEDES
NEOPLAN
SAF
SCANIA
SMB



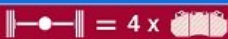

248.0mm
108.0mm
30.0mm
Knorr SB7000

WVA 29253
29108

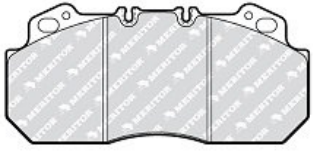
KIT MBA110 MBA120
 2 x  2 x  2 x  2 x  2 x  1 x

Indeks 10-01-01-0084

Nowość - klocki Meritor serii MDP3000

MDP3090K  = 4 x 


AUWÄRTER
(NEOPLAN)
DENNIS
RENAULT



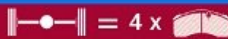

249.6mm
114.0mm
28.0mm
Meritor
D Lisa

VVA 29090

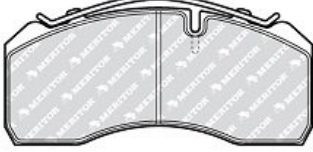
KIT MBA101



Indeks 10-01-01-0835

MDP3095K  = 4 x 


BPW
DAF
MAN
MERCEDES
SAF
SMB



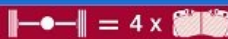

211.0mm
92.5mm
30.0mm
Knorr
SB6000

VVA 29095


KIT MBA110 MBA121



Indeks 10-01-01-0086

MDP3122  = 4 x 


AUWÄRTER
AWD
FORD
IVECO
MERCEDES
OPTARE
RENAULT
VOLVO



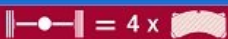

175.0mm
86.0mm
22.0mm
Brembo
2x60

VVA 29122


KIT MBA106
MBA107



Indeks 10-01-01-0422

MDP3124K  = 4 x 


ROR





205.4mm
102.0mm
27.0mm
Meritor
DX195

VVA 29124


KIT MBA100



Indeks 10-01-01-0070

MDP3125K  = 4 x 


ROR
VOLVO



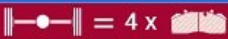

249.5mm
111.0mm
29.0mm
Meritor
D Duco

VVA 29125

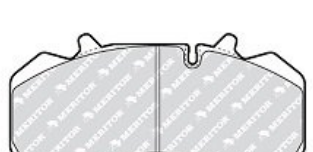
KIT MBA104



Indeks 10-01-01-0087

MDP3126  = 4 x 

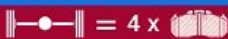

SAF



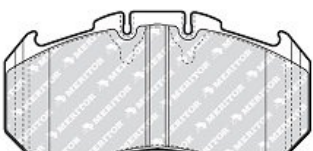
211.0mm
93.0mm
30.0mm
Wabco
Pan 19-1

VVA 29126

Indeks 10-01-01-0409

MDP3131K  = 4 x 


ERF
MAN
RENAULT
ROR



249.5mm
118.0mm
30.0mm
Meritor
Elsa 2

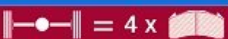

VVA 29131

KIT MBA105




PWWI MBA016

Indeks 10-01-01-0088

MDP3136K  = 4 x 


VOLVO



175.5mm
89.0mm
29.0mm
Meritor
B Duco



VVA 29136

KIT MBA102




Indeks 10-01-01-0985

Nowość - klocki Meritor serii MDP3000

MDP3137K  = 4 x 


VOLVO



210.0mm
102.0mm
29.0mm
Meritor C Duco



WVA 29137

KIT MBA103

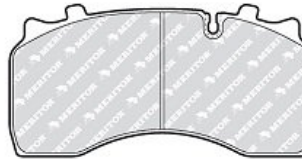


4 X 2 X

Indeks 10-01-01-0969

MDP3141  = 4 x 



DAF DENNIS



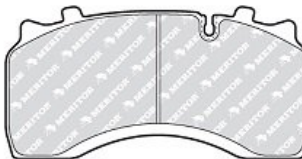
205.0mm
100.0mm
30.0mm
Wabco Pan 19-2

WVA 29141

Indeks 10-01-01-1710

MDP3142  = 4 x 




RENAULT




205.0mm
100.0mm
30.0mm
Wabco Pan 19-2

WVA 29142

Indeks 10-01-01-0093

MDP3148K  = 2 x  + 2 x 


MERCEDES



173.6mm
84.0mm
27.0mm
Knorr SB5000



WVA 29115

KIT MBA110 MBA120




2 X 2 X 2 X 2 X 2 X 1 X

Indeks 10-01-01-0555

MDP3165K  = 4 x 


BPW



211.0mm
92.0mm
30.0mm
Knorr SB6000



WVA 29165

KIT MBA110 MBA121




2 X 2 X 2 X 2 X 2 X 1 X

Indeks 10-01-01-0090

MDP3162  = 4 x 

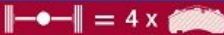

SAF SMB




210.0mm
110.0mm
31.0mm
Wabco Pan 22-1

WVA 29162

Indeks 10-01-01-1782

MDP3167K  = 4 x 


BPW



248.0mm
109.5mm
30.0mm
Knorr SB7000

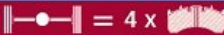

WVA 29167

KIT MBA110 MBA120

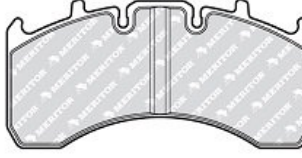


2 X 2 X 2 X 2 X 2 X 1 X

Indeks 10-01-01-0094

MDP3169K  = 4 x 


ROR VOLVO



210.5mm
99.75mm
30.0mm
Meritor Elsa 195

WVA 29169


KIT MBA112




4 X 2 X

Indeks 10-01-01-0816

Nowość - klocki Meritor serii MDP3000

MDP3171K  = 4 x


BPW




211.0mm
108.0mm
30.0mm
Knorr SK7000

WVA 29171

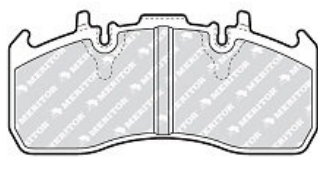
KIT MBA110



Indeks 10-01-01-0089

MDP3173K  = 4 x



RENAULT VOLVO



216.0mm
97.0mm
29.0mm
Meritor Elsa 225-1


WVA 29173

KIT MBA112

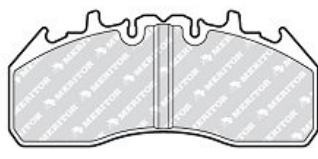
4 x  2 x 

PWWI MBA034

Indeks 10-01-01-1778

MDP3174K  = 4 x



RENAULT VOLVO




250.0mm
107.0mm
29.0mm
Meritor Elsa 225-3

WVA 29174


KIT MBA112

4 x  2 x 

Indeks 10-01-01-0095

MDP3747  = 8 x


DAF IVECO LEYLAND




140.0mm
121.0mm
32.0mm
Knorr K85

WVA 29747


Indeks 10-01-01-1130

MDP3835K  = 4 x

ALEXANDER PSV AUWÄRTER MERCEDES OPTARE

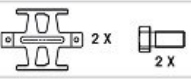


175.0mm
85.0mm
22.0mm
Meritor 'B' Frame

USE  MDP3122


WVA 29835

KIT MBA106

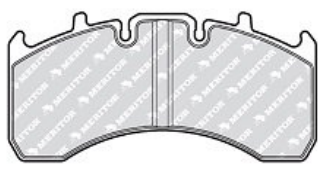


PWWI MBA007

Indeks 10-01-01-0617

MDP3169K  = 4 x

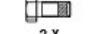
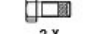
ROR VOLVO



210.5mm
99.75mm
30.0mm
Meritor Elsa 195

WVA 29177

KIT MBA112

4 x  2 x 

Indeks 10-01-01-1771